

Acces pannels

ALUMATIC EI90

inspection hatch for partition walls
2 x 12.5 mm

Technical Data Sheets



Product description:

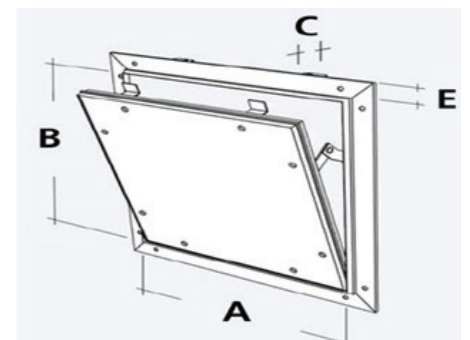
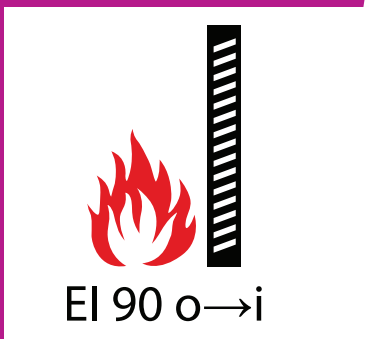
ALUMATIC EI90 inspection hatch is made of 2 main parts:

► Support frame:

It is made of 4 aluminum corner bars with aluminum cornering and interlocked with the "TOX Joints" system. On the inner side, there is a special intumescent rubber lip seal; in case of fire, under the influence of high temperature, it insulates and completely seals the hatch.

► Hatch lid:

It is made of an aluminum frame with a circumferential rubber lip seal. The plasterboards are mechanically fastened on the frame. The lid is fitted with a two-sided fastening system and a click lock system.



Codes and dimensions:

Product Code	Weight [Kg]	Nominal dimensions [mm]		Opening dimensions [mm]		C	E
		A	B	A	B		
4071963	2,8	300	300	276	250	25	25
4064438	4,5	400	400	376	350	25	25
4065563	6,6	500	500	476	550	25	25
4062125	9,8	600	600	576	550	25	25
4062951	10,4	500	800	476	750	25	25



Application:

ALUMATIC EI90 inspection hatches are used in partitions walls. They are suitable for use in plasterboard systems made of 2x12,5 mm boards with fire resistance of maximum EI90.

Advantages:

- ▶ Rubber lip seal
- ▶ Installation of the flap at same level
- ▶ With concealed snap closures
- ▶ Fixing device on both sides

Quality Assurance:

The production process requires the product quality verification after each stage of work.

Packaging and delivery:

Each hatch is individually packaged in a cardboard box on which the hatch type and fire resistance class are marked. Each cardboard box contains the following elements:

- ▶ Support frame
- ▶ Hatch lid
- ▶ Screws protective sleeves
- ▶ Installation details

Safety measures:

This product is not classified as hazardous During installation, observe the general health and safety rules. Use proper tools and wear helmet, gloves and glasses.



Corrosion Resistance



Technical
Performance



Durability

Imported by:
Etex Building Performance S.A.
98 Vulturilor Street, floor 5-6, 030857 Bucharest, District 3, Romania
Phone (+40) 312 24 01 00
Fax (+4) 031 224 01 01
www.siniat.ro