

Acces pannels

ALUMATIC EI30

inspection hatch air and smoketight
for plasterboard ceiling 2 x 12.5 mm

Technical Data Sheets



EI30 (a→b)



Product description:

ALUMATIC EI30 is made of 3 main parts:

► Support frame:

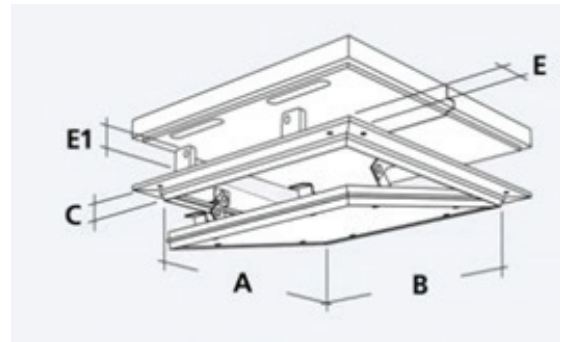
It is made of 4 aluminum corner bars with aluminum cornering and interlocked with the "TOX Joints" system. On the inner side, there is a special intumescent gasket; in case of fire, under the influence of high temperature, it insulates and completely seals the hatch.

► Hatch lid:

It is made of an aluminum frame with a circumferential rubber lip seal. The plasterboards are mechanically fastened on the frame. The lid is fitted with a two-sided fastening system and a click lock system.

► FIRE protection set:

Consists of 2 elements laying on the upper side of the hatch.



Codes and dimensions:

Product Code	Weight [Kg]	Nominal dimensions [mm]		Opening dimensions [mm]		C	E	E1
		A	B	A	B			
-	9.1	300	300	237	247	26	25	40
-	13.1	400	400	337	347	26	25	40
-	18.6	500	500	437	447	26	25	40
4062875	24.7	600	600	537	547	26	25	40

Application:

ALUMATIC EI30 inspection hatches are used in suspended ceilings. They are suitable for use in plasterboard systems made of 2x12,5 mm boards with fire resistance of maximum EI30.



Corrosion Resistance



Technical
Performance



Durability

Advantages:

- ▶ It also prevents cold smoke from escaping, therefore, it protects against gas poisoning
- ▶ Ideal for rooms in which the incoming and exhaust air is guided over the ceiling void.
- ▶ Special protection due to hollow section sealing
- ▶ With concealed snap closures

Quality Assurance:

The production process requires the product quality verification after each stage of work.

Packaging and delivery:

Each hatch is individually packaged in a cardboard box on which the hatch type and fire resistance class are marked. Each cardboard box contains the following elements:

- ▶ Support frame
- ▶ Hatch lid
- ▶ Fire protection set
- ▶ Screws protective sleeves
- ▶ Installation details

Safety measures:

This product is not classified as hazardous. During installation, observe the general health and safety rules. Use proper tools and wear helmet, gloves and glasses.

Imported by:
Etex Building Performance S.A.
98 Vulturilor Street, floor 5-6, 030857 Bucharest, District 3, Romania
Phone (+40) 312 24 01 00
Fax (+4) 031 224 01 01
www.siniat.ro