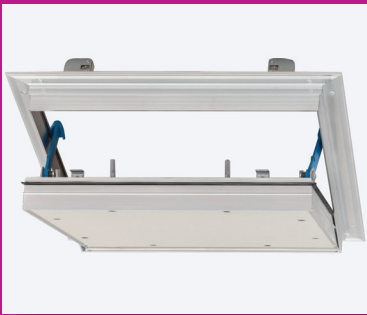


Access Panels

Alumatic-C EI30 25 mm inspection hatch for plasterboard ceiling 2 x 12.5 mm

Technical Data Sheets



Product description:

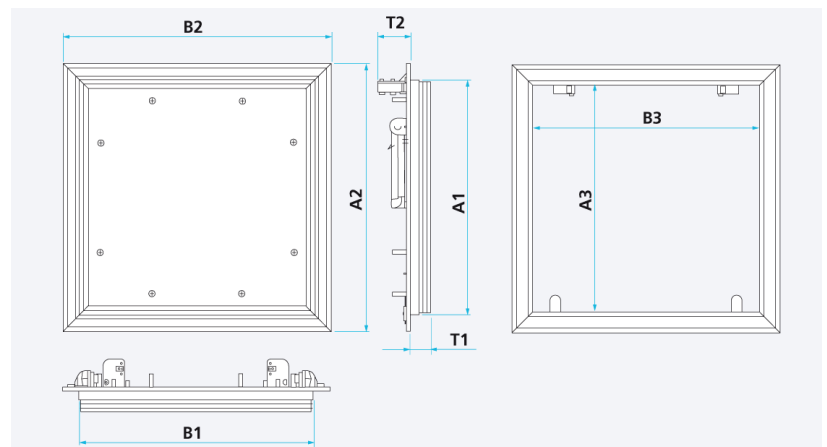
Alumatic-C EI30 25 mm is made of 2 main parts:

► Support frame:

It is made of 4 aluminum corner bars with aluminum cornering and interlocked with the "TOX Joints" system. On the inner side, there is a special intumescent gasket; in case of fire, under the influence of high temperature, it insulates and completely seals the hatch.

► Hatch lid:

It is made of an aluminum frame with a circumferential rubber lip seal. The plasterboards are mechanically fastened on the frame. The lid is fitted with a two-sided fastening system and a click lock system.



EI30 b → a

Codes and dimensions:

Product Code	Weight [Kg]	Nominal dimensions [mm]		[mm]			
		A	B	A	B	T1	T2
4067333	2.6	300	300	289	289	26	41
-	4.2	400	400	389	389	26	41
-	5.8	500	500	489	489	26	41
-	8.0	600	600	589	589	26	41

Application:

Alumatic-C EI30 25 mm inspection hatches are used in suspended ceilings. They are suitable for use in plasterboard systems made of 2x12,5mm boards with fire resistance of maximum EI30.





Corrosion Resistance



Technical
Performance



Durability

Advantages:

- ▶ The great value solution
- ▶ High quality rubber lip seal
- ▶ With concealed snap closures
- ▶ Flush installation in gypsum plasterboard ceilings
- ▶ Removable flap lid

Quality Assurance:

The production process requires the product quality verification after each stage of work.

Packaging and delivery:

Each hatch is individually packaged in a cardboard box on which the hatch type and fire resistance class are marked. Each cardboard box contains the following elements:

- ▶ Support frame
- ▶ Hatch lid
- ▶ Fire protection set
- ▶ Screws protective sleeves
- ▶ Installation details

Safety measures:

This product is not classified as hazardous. During installation, observe the general health and safety rules. Use proper tools and wear helmet, gloves and glasses.

Etex Building Performance S.A.
98 Vulturilor Street, floor 5-6, 030857 Bucharest, District 3, Romania
Phone (+40) 312 24 01 00
Fax (+4) 031 224 01 01
www.siniat.ro