

Access Panels

Fire Protect-SW60

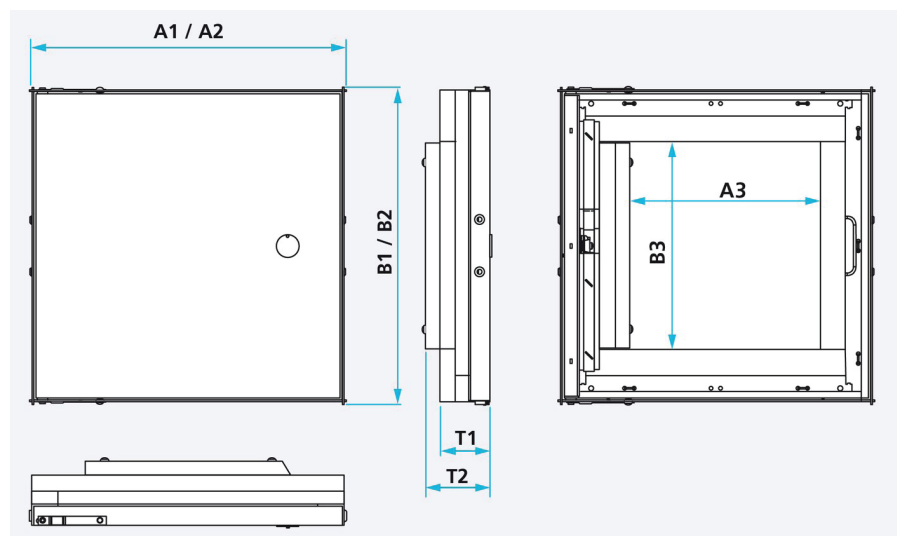
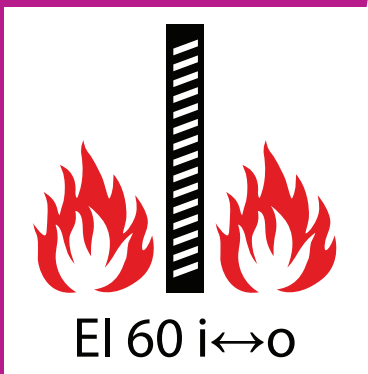
inspection hatch for partition walls.

Technical Data Sheet



Product description:

FireProtect-SW 60 inspection door is especially suited for applications in plasterboard-based partition wall systems. The mounting frame and the door panel are in galvanized sheet steel and are reinforced on the back with fire protection panels. In the frame, there is an all-around hollow section seal. Thus, the door is smoke-tight. The door panel, removable for installation, and the pre-machined counterbores in the mounting frame simplify the wall mounting. The door panel is firmly fitted after installation. The screw head-free door panel surface saves time-consuming filling work.



Codes and dimensions:

SAP code	Size A x B (V)	Installation dimension A1 x B1	Outer dimension A2 x B2	Clear width A3 x B3	Depth T1	Depth T2	Weight (kg)
-	300x300	304x304	304x304	180x200	48	62	4.3
-	400x400	404x404	404x404	280x300	48	62	7.2
-	500x500	504x504	504x504	380x400	48	62	9.8
-	600x600	604x604	604x604	480x500	48	62	13.9
-	600x800	604x804	604x804	480x700	48	62	20.4
-	600x1200	604x1204	604x1204	480x1100	48	62	29.7

Application:

Fire Protect-SW60 inspection hatches are used in partitions walls. They are suitable for use in plasterboard systems with fire resistance of minimum EI60.

Advantages:

- ▶ Variably installable irrespective of wall thickness
- ▶ Door panel removable for wall mounting
- ▶ The screw head-free surface saves filling work
- ▶ With an all-round seal, smoke-tight and sound insulation testing

Quality Assurance:

The production process requires product quality verification after each stage of work.

Packaging and delivery:

Each hatch is individually packaged in a cardboard box on which the hatch type and fire resistance class are marked. Each cardboard box contains the following elements:

- ▶ Inspection door fire protection
- ▶ Square shaft key
- ▶ Cover in RAL9016 supplied loose in a bag for customer fitting
- ▶ Mounting kit steel angles
- ▶ Installation instructions

Safety measures:

This product is not classified as hazardous. During installation, observe the general health and safety rules. Use proper tools and wear helmet, gloves and glasses.



Corrosion Resistance



Technical
Performance



Durability

Etex Building Performance S.A.
98 Vulturilor Street, floor 5-6, 030857 Bucharest, District 3,
Romania
Phone (+40) 312 24 01 00
Fax (+4) 031 224 01 01
www.siniat.ro